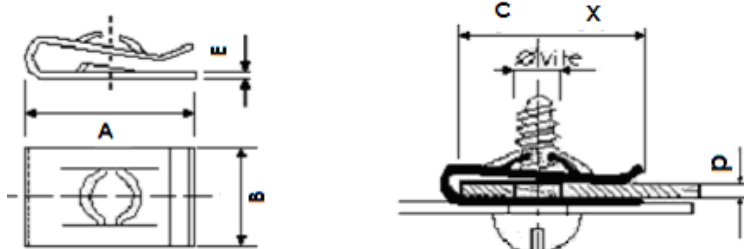




Catalogo Tecnico

Fastening System

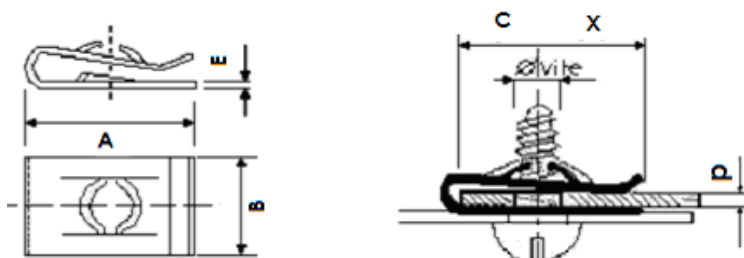
Clips per Viti Parker
Clips for Parker Screw



Vite Ø	Spess. pannello	A	B	C	X	E	tipo	Codice
2.9	0.4-1.5	11.5	9.0	6.2	5.0	0.5	B	FX70383
2.9	1.5-2.5	10.5	8.0	5.0	5.0	0.5	A	FX70385
2,9	3,5-4,0	10,5	7,5	5,0	5,0	0,5	F	FX70339
3.5	0.5-1.5	11.5	9.0	6.2	5.0	0.5	B	FX70318
3.5	1.5-2,1	12.3	12.0	5.0	5.5	0.6	B	FX43720
3.5	1,4-2.5	11,2	9.0	6,2	6.0	0.5	B	FX70521
3.5	0.7-1.6	16.4	11.0	6.7	9.0	0.6	A	FX69356
3.5	0.7-1.6	16.0	11.0	6.7	9.0	0.5	A	FX69359
3,5	1,4-2,5	14,5	9,0	8,0	6,0	0,5	B	FX70333
3.5	2.0-2.5	11.8	9.0	6.0	5.0	0.6	A	FX69388
3.5	1.5-2.5	14.5	12.0	8.0	6.0	0.5	B	FX70387
3,5	1,5-3,0	10,5	10,0	5,0	5,5	0,4	A-G	FX70511
3,5	2,6-3,0	11,8	9,0	5,5	6,0	0,6	A	FX70350
3.5	2.0-3.0	16.4	10.0	9.0	5.5	0.5	A	FX70303
3.5	2.5-3.5	16.0	10.0	10.0	5.4	0.6	A	FX70355
4,2	0,3-1,5	11,2	9,0	6,2	4,5	0,5	B	FX79826
4,2	2,1-2,5	11,8	9,0	5,0	4,4	0,6	A	FX43724
4.2	0.7-1.6	15.0	12.0	7.5	5.5	0.5	-	FX69364
4.2	3.0-4.0	13.3	9.0	7.9	5.4	0.6	-	FX69365
4.2	3.2-3.6	17.1	11.1	7.8	9.3	0.6	F	FX69370
4.2	3.2-3.5	17.0	11.0	8.0	5.0	0.6	A	FX69371
4.2	0.7-1.6	13.0	11.0	5.0	6.0	0.7	G	FX69479
4.2	2.5-3.0	11.8	9.0	7.4	4.4	0.6	-	FX69483
4.2	0.5-1.5	16.6	8.7	9.5	7.1	0.7	F	FX69495
4.2	2.2-3.2	16.3	10.0	10.5	6.3	0.6	F	FX69531
4.2	3.0-4.0	19.0	11.0	9.5	9.5	0.5	F	FX70437
4.2	2.0	16.0	11.0	8.0	7.0	0.5	A	FX79253
4.2	0.6-1.5	15,0	12,0	8,0	5,5	0,5	A	FX70432
4.2	1,0-1,6	10,7	9,0	4,5	4,4	0,6	B	FX79759
4.2	1.0-2.0	16.0	11.0	8.0	7.5	0.5	A	FX70337
4.2	0,8-1,6	12,0	8,0	5,5	5,0	0,5	A	FX79629
4.2	1.5-3.0	13,7	12,0	6,2	5,7	0,6	A	FX79808
4.2	2.5-3.5	13,0	11,0	6,0	5,8	0,5	A	FX79722
4.2	2.0-3.0	17,0	11,0	8,4	7,0	0,6	A	FX79537
4.2	3.0-4.0	16.0	11.0	8.0	7.0	0.5	B	FX70389
4.2	2.5-3.5	16,5	10,0	8,5	7,0	0,5	A	FX70364
4.2	3.0-4.0	24.0	11.0	16.0	7.5	0.7	B	FX70388
4.2	5.0-7.0	20.0	10.0	10.0	9.0	0.6	G	FX79624

Fastening System

Clips per Viti Parker *Clips for Parker Screw*



Vite Ø	Spess. pannello	A	B	C	X	E	tipo	Codice
4,8	0,3-2,5	19,5	12,0	9,0	8,2	0,7	A	FX79812
4,8	0,8-1,5	15,0	12,0	6,5	6,8	0,7	B	FX70443
4,8	2,5-3,0	14,8	12,0	6,8	6,8	0,6	B	FX1481206
4,8	1,5-2,4	14,8	12,0	7,0	7,0	0,7	A	FX43689
4,8	1,0-2,0	21,3	16,0	12,0	8,0	0,6	-	FX70210
4,8	2,5-3,2	20,6	12,0	9,5	9,2	0,7	A	FX79385
4,8	2,5-3,2	15,0	12,0	5,7	6,5	0,7	A	FX79413
4,8	1,5-2,4	15,0	12,0	6,5	6,5	0,5	B	FX70306
4,8	0,5-2,0	26,0	9,0	9,0	10,0	0,6	A	FX70371
4,8	0,8-2,3	15,5	12,0	8,0	6,0	0,7	A	FX70341
4,8	1,5-3,0	20,6	12,0	9,5	9,2	0,7	A	FX70361
4,8	1,0-3,0	17,0	11,0	9,0	7,5	0,5	B	FX70384
4,8	2,5-3,2	15,7	12,0	9,2	6,5	0,7	A	FX70316
4,8	2,0-3,5	25,6	10,0	13,0	10,0	0,7	A	FX70444
4,8	3,0-4,0	17,0	11,0	10,0	7,0	0,7	A	FX70354
4,8	2,0-5,0	18,5	16,0	9,0	9,5	0,8	B	FX79709
4,8	3,0-5,0	26,0	10,0	14,0	10,0	0,7	A	FX70366
<hr/>								
5,5	0,8-1,6	19,0	16,0	8,0	9,0	0,8	B	FX70390
5,5	1,5-2,5	18,8	16,0	8,0	8,5	0,8	B	FX70343
5,5	2,5-3,5	19,2	16,0	8,8	8,8	0,8	B	FX70391
5,5	4,5-5,0	18,0	16,0	8,0	8,0	0,8	B	FX70392
<hr/>								
6,3	0,5-3,0	34,0	19,0	24,0	8,4	1,0	D	FX70393
6,3	2,5-4,5	34,0	19,0	24,0	8,4	1,0	D	FX70394

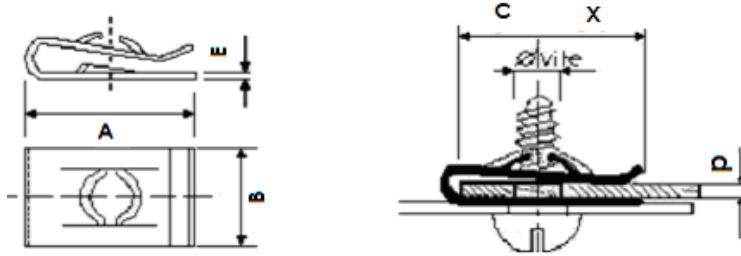


- Tolleranza generale ± 0.3
- Materiale: acciaio per molle e acciaio Inox

- General tolerance ± 0.3
- Material: spring steel and stainless steel

- Generaltoleranz ± 0.3
- Werkstoff: Federbandstahl und rostfreier Stahl

Clips per Viti Metriche Clips for Metric- Screw



Vite	Spess. pannello	A	B	C	X	E	tipo	Codice
M 3	0,4-1,9	9,6	6,0	4,2	5,0	0,3	A	FX70322
M 3	0,4-1,3	12,1	8,0	6,0	5,0	0,3	G	FX79832
M 3	2,4-3,2	11,6	8,0	4,5	5,0	0,3	A	FX70224
M 4	1,0-2,0	18,1	10	8,5	8,0	0,4	A	FX79736
M 4	0,5-2,0	18,0	10,0	8,7	10,5	0,4	D-G	FX79501
M 4	1,4-2,0	15,0	12,0	8,0	5,5	0,4	A	FX70367
M 4	2,0-3,0	20,3	12,0	9,0	10,0	0,5	B	FX70338
M 4	2,6-3,8	20,9	12,0	7,2	11,0	0,4	A	FX79622
M 4	2,5-4,0	17,6	10,0	7,0	8,0	0,4	A	FX70302
M 5	0,6-1,5	15,0	12,0	6,5	6,5	0,6	B-E	FX70368
M 5	1,0-2,5	20,0	12,0	8,0	10,0	0,5	B	FX79532
M 5	1,5-3,0	14,4	12,0	6,0	6,8	0,7	D	FX79626
M 5	2,5-4,0	20,0	12,0	7,5	10,0	0,5	A-B	FX70300
M 6	0,5-1,5	16,0	16,0	8,0	6,6	0,5	B	FX70363
M 6	1,0-1,8	16,6	16,0	8,4	6,6	0,5	B	FX70519
M 6	1,3-3,0	16,4	16,0	8,5	6,6	0,5	B	FX70301
M 6	2,5-4,0	24,0	14,0	9,0	14,0	0,5	A	FX70522



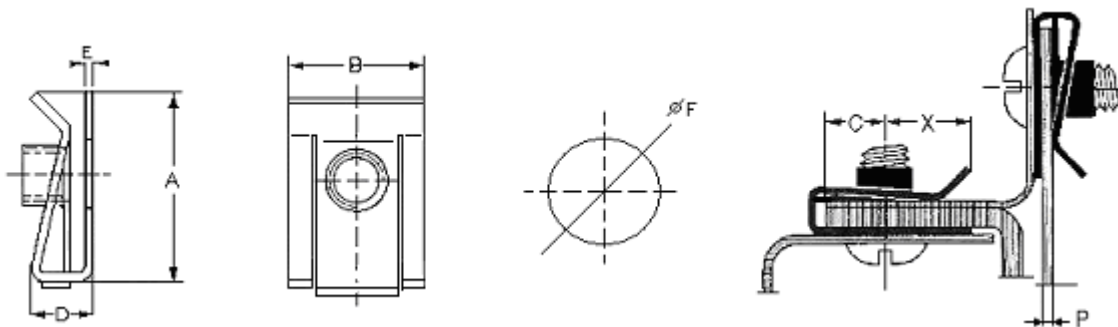
- Tolleranza generale ± 0.3
- Materiale: acciaio per molle e acciaio Inox

- General tolerance ± 0.3
- Material: spring steel and stainless steel

- Generaltoleranz ± 0.3
- Werkstoff: Federbandstahl und rostfreier Stahl

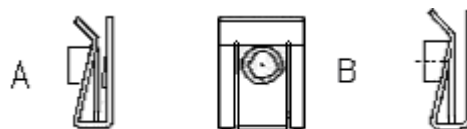
Fastening System

Clips per Viti Metriche per elevate coppie di serraggio
Metric- Screw Clips for high tightened pairs



Vite	Spess. pannello	A	B	C	X	Tipo	E	F	Codice
M 4	0.5-4.0	14.0	10.0	7,0	6.0	A-B	0.6	6.5	FX70348
M 5	0.5-4.0	15,0	12.0	7,0	85,0	A	0.6	7.5	FX79644
M 5	0.5-4.0	19.9	14.0	10.2	8.5	B	0.6	8.5	FX70304
M 5	5,0-7,0	19.9	14.0	10.2	8.5	B	0.6	8.5	FX79547
M 6	0.5-4.0	21.9	15.0	11.0	9.6	A	0.7	8.5	FX70310
M 6	3.0-4.0	22.0	15.0	12.5	9,8	-	0.8	8.5	FX70526
M 8	0.5-4.0	24.8	17.0	12.0	10,0	B	1.0	9,0	FX70369

FORME



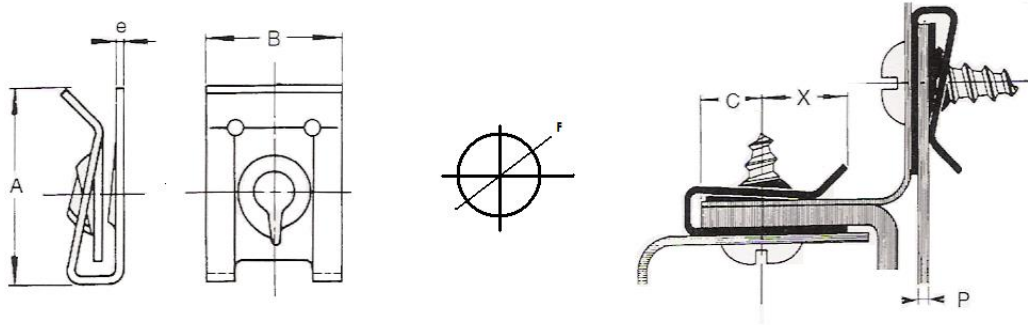
- Tolleranza generale ± 0.3
- Materiale: acciaio per molle e acciaio Inox

- General tolerance ± 0.3
- Material: stainless and spring steel

- Generaltoleranz ± 0.3
- Werkstoff: Federbandstahl und rostfreier Stahl

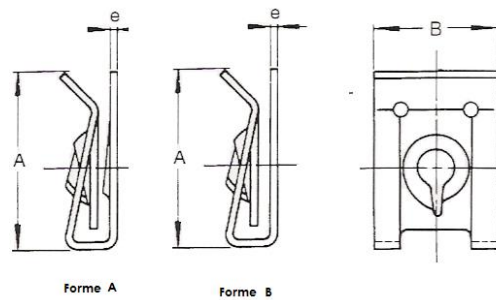
Fastening System

Clips per alti spessore per Viti Autofilettanti
High Thickness Clips for self-Tapping screw



Vite	Spess. pannello	A	B	C	X	Tipo	E	F	Codice
3,5	0.5-4.0	20.0	14.0	8,8	10,0	A	0.5	6.0	FX70923
4,2	0.5-4.0	20.0	14.0	8,8	10,0	A	0.5	7,0	FX70920
4,2	0.5-4.0	25.0	14.0	14	9.5	A	0.5	7,2	FX70926
4,8	0.5-4.8	20.0	14.0	8,8	10,0	A	0.6	7,0	FX70921

FORME

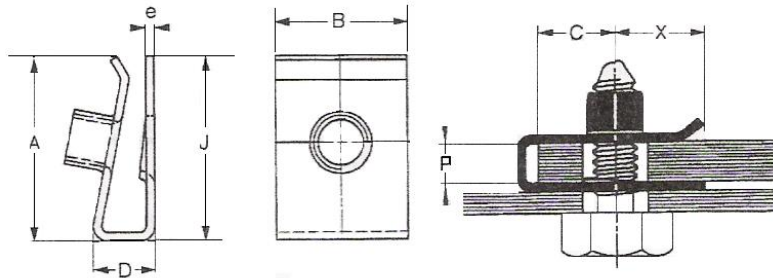


- Tolleranza generale ± 0.3
- Materiale: acciaio per molle

- General tolerance ± 0.3
- Material: spring steel

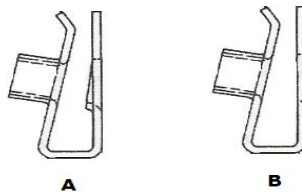
- Generaltoleranz ± 0.3
- Werkstoff: Federbandstahl

Clips per Viti Metriche per elevate coppie di serraggio
Metric- Screw Clips for high tightened pairs



Vite	Spess. pannello	A	B	C	X	Tipo	E	F	Codice
M 4	0.5-1,5	15,5.0	12.0	9,5	6.0	A	0.8	6,0	FX79741
M 5	0.5-1,5	15,5.0	12.0	9,5	6.0	A	0.8	7,0	FX79642
M 6	0.5-1,5	15,5.0	12.0	9,5	6.0	A	0.8	8,0	FX79775
M 4	1,0-2,0	15,5.0	12.0	9,5	6.0	A	0.8	6,0	FX79741L
M 5	1,0-2,0	15,5.0	12.0	9,5	6.0	A	0.8	7,0	FX79642L
M 6	1,0-2,0	15,5.0	12.0	9,5	6.0	A	0.8	8,0	FX79775L

FORME

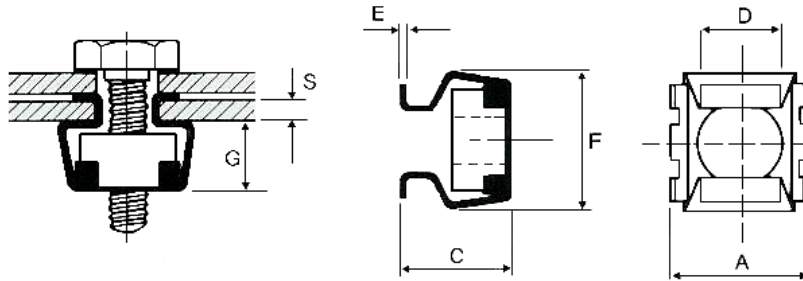


- tolleranza generale ± 0.3
- Materiale: acciaio per molle e acciaio Inox

- General tolerance ± 0.3
- Material: stainless and spring steel

- Generaltoleranz ± 0.3
- Werkstoff: Federbandstahl und rostfreier Stahl

Dadi in Gabbia Quadra *Square cage nuts*



vite	Spessore pannello	A	C	D	E	F	G	cava pannello	dado	Codice
M 3	0.3-0.9	9.5	5.2	4.8	0.3	9.7	3.6	5.3x5.3	8x8x2.5	FX70533A
M 3	1.0-1.6	9.5	5.9	4.8	0.3	9.7	3.6	5.3x5.3	8x8x2.5	FX70533B
M 3	1.7-2.3	9.5	6.6	4.8	0.3	9.7	3.6	5.3x5.3	8x8x2.5	FX70533C
M 3	2.4-3.1	9.5	7.4	4.8	0.3	9.7	3.6	5.3x5.3	8x8x2.5	FX70533D
M 4	0.3-0.9	9.5	5.2	4.8	0.3	9.7	3.6	5.3x5.3	8x8x2.5	FX70534A
M 4	1.0-1.6	9.5	5.9	4.8	0.3	9.7	3.6	5.3x5.3	8x8x2.5	FX70534B
M 4	1.7-2.3	9.5	6.6	4.8	0.3	9.7	3.6	5.3x5.3	8x8x2.5	FX70534C
M 4	2.4-3.1	9.5	7.4	4.8	0.3	9.7	3.6	5.3x5.3	8x8x2.5	FX70534D
M 4	0.7-1.6	10	7.2	5.8	0.45	10.3	4.8	6.7x6.7	8x8x3.5	FX70674A
M 4	1.7-2.6	10	8.2	5.8	0.45	10.3	4.8	6.7x6.7	8x8x3.5	FX70674B
M 5	0.7-1.6	10	7.2	5.8	0.45	10.3	4.8	6.7x6.7	8x8x3.5	FX70675A
M 5	1.7-2.6	10	8.2	5.8	0.45	10.3	4.8	6.7x6.7	8x8x3.5	FX70675B
M 4	0.3-1.1	12	8.0	7.2	0.45	12.2	6.0	8.3x8.3	10x10x4,5	FX708340
M 4	1.2-1.6	12	8.5	7.2	0.45	12.2	6.0	8.3x8.3	10x10x4,5	FX70834A
M 4	1.7-2.5	12	9.5	7.2	0.45	12.2	6.0	8.3x8.3	10x10x4,5	FX70834B
M 4	2.6-3.5	12	10.5	7.2	0.45	12.2	6.0	8.3x8.3	10x10x4,5	FX70834C
M 4	3.6-4.5	12	11.5	7.2	0.45	12.2	6.0	8.3x8.3	10x10x4,5	FX70834D
M 5	0.3-1.1	12	8.0	7.2	0.45	12.2	6.0	8.3x8.3	10x10x4.5	FX708350
M 5	1.2-1.6	12	8.5	7.2	0.45	12.2	6.0	8.3x8.3	10x10x4.5	FX70835A
M 5	1.7-2.5	12	9.5	7.2	0.45	12.2	6.0	8.3x8.3	10x10x4.5	FX70835B
M 5	2.6-3.5	12	10.5	7.2	0.45	12.2	6.0	8.3x8.3	10x10x4.5	FX70835C
M 5	3.6-4.5	12	11.5	7.2	0.45	12.2	6.0	8.3x8.3	10x10x4.5	FX70835D
M 6	0.3-1.1	12	8.0	7.2	0.45	12.2	6.0	8.3x8.3	10x10x4.5	FX708360
M 6	1.2-1.6	12	8.5	7.2	0.45	12.2	6.0	8.3x8.3	10x10x4.5	FX70836A
M 6	1.7-2.5	12	9.5	7.2	0.45	12.2	6.0	8.3x8.3	10x10x4.5	FX70836B
M 6	2.6-3.5	12	10.5	7.2	0.45	12.2	6.0	8.3x8.3	10x10x4.5	FX70836C
M 6	3.6-4.5	12	11.5	7.2	0.45	12.2	6.0	8.3x8.3	10x10x4.5	FX70836D

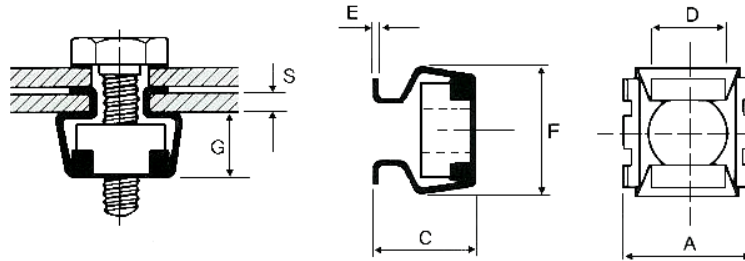
- Tolleranza generale ± 0.3
Disponibili anche con:
- Gabbia Inox + Dado Acciaio Dolce
oppure
- Gabbia Inox + Dado Inox

- General tolerance ± 0.3
Also available with:
- Stainless Steel Cage + Mild Steel Nuts
or
- Stainless Steel Cage + Stainless Steel
Nuts

- Generaltoleranz ± 0.3
Verfügbar mit:
- Kiste aus rostfreier Stahl + Mutter
aus Flusstahl oder
- Kiste aus rostfreier Stahl + Mutter
aus rostfreier Stahl

Fastening System

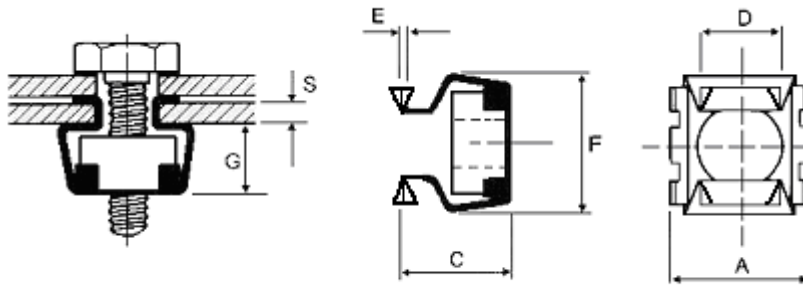
Dadi in Gabbia Quadra *Square cage nuts*



vite	Spessore pannello	A	C	D	E	F	G	Cava pannello	dado	Codice
M 4	0.7-1.6	13.2	8.8	8.2	0.5	13.5	6	9.5x9.5	11x11x4.5	FX70954A
M 4	1.7-2.7	13.2	9.5	8.2	0.5	13.5	6	9.5x9.5	11x11x4.5	FX70954B
M 4	2.7-3.5	13.2	10.2	8.2	0.5	13.5	6	9.5x9.5	11x11x4.5	FX70954C
M 5	0.7-1.6	13.2	8.8	8.2	0.5	13.5	6	9.5x9.5	11x11x4.5	FX70955A
M 5	1.7-2.7	13.2	9.5	8.2	0.5	13.5	6	9.5x9.5	11x11x4.5	FX70955B
M 5	2.7-3.5	13.2	10.2	8.2	0.5	13.5	6	9.5x9.5	11x11x4.5	FX70955C
M 6	0.7-1.6	13.2	8.8	8.2	0.5	13.5	6	9.5x9.5	11x11x4.5	FX70956A
M 6	1.7-2.7	13.2	9.5	8.2	0.5	13.5	6	9.5x9.5	11x11x4.5	FX70956B
M 6	2.7-3.5	13.2	10.2	8.2	0.5	13.5	6	9.5x9.5	11x11x4.5	FX70956C
M 6	1.0-1.7	16.0	10.4	10.6	0.6	16.6	7.8	12.3x12.3	14x14x5,5	FX71236A
M 6	1.8-3.2	16.0	12.0	10.6	0.6	16.6	7.8	12.3x12.3	14x14x5,5	FX71236B
M 6	3.3-4.7	16.0	13.5	10.6	0.6	16.6	7.8	12.3x12.3	14x14x5,5	FX71236C
M 6	4.8-5.5	16.0	14.5	10.6	0.6	16.6	7.8	12.3x12.3	14x14x5,5	FX71236D
M 8	1.0-1.7	16.0	10.4	10.6	0.6	16.6	7.8	12.3x12.3	14x14x5,5	FX71238A
M 8	1.8-3.2	16.0	12.0	10.6	0.6	16.6	7.8	12.3x12.3	14x14x5,5	FX71238B
M 8	3.3-4.7	16.0	13.5	10.6	0.6	16.6	7.8	12.3x12.3	14x14x5,5	FX71238C
M 8	4.8-5.5	16.0	14.5	10.6	0.6	16.6	7.8	12.3x12.3	14x14x5,5	FX71238D
M 10	1.0-1.7	16.0	10.4	10.6	0.6	16.6	7.8	12.3x12.3	14x14x5,5	FX71231A
M 10	1.8-3.2	16.0	12.0	10.6	0.6	16.6	7.8	12.3x12.3	14x14x5,5	FX71231B
M 10	3.3-4.7	16.0	13.5	10.6	0.6	16.6	7.8	12.3x12.3	14x14x5,5	FX71231C
M 10	4.8-5.5	16.0	14.5	10.6	0.6	16.6	7.8	12.3x12.3	14x14x5,5	FX71231D
M 10	1.0-1.7	20.0	13.5	12.6	0.6	20.5	10.4	14x14	17x17x7.5	FX71410A
M 10	1.8-3.2	20.0	15.0	12.6	0.6	20.5	10.4	14x14	17x17x7.5	FX71410B
M 10	3.3-4.7	20.0	16.5	12.6	0.6	20.5	10.4	14x14	17x17x7.5	FX71410C
M 10	4.8-6.2	20.0	18.0	12.6	0.6	20.5	10.4	14x14	17x17x7.5	FX71410D
M 12	1.0-1.7	20.0	13.5	12.6	0.6	20.5	10.4	14x14	17x17x7.5	FX71412A
M 12	1.8-3.2	20.0	15.0	12.6	0.6	20.5	10.4	14x14	17x17x7.5	FX71412B
M 12	3,3-4,7	20.0	16,5	12.6	0.6	20.5	10.4	14x14	17x17x7.5	FX71412C
M 12	4,8-6,2	20.0	18,0	12.6	0.6	20.5	10.4	14x14	17x17x7.5	FX71412D

Fastening System

Dadi in Gabbia Quadra per continuità di massa
Square cage nuts for Earth continuity



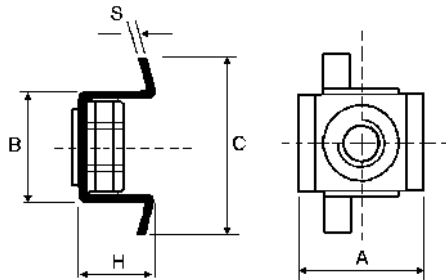
vite	Spessore pannello	A	C	D	E	F	G	cava pannello	dado	Codice
M 4	1,5-2,0	12	8.5	7.2	0.45	12.2	6.0	8.3x8.3	10x10x4,5	FX70834BXCM
M 5	1,5-2,0	12	8.5	7.2	0.45	12.2	6.0	8.3x8.3	10x10x4,5	FX70835BXCM
M 6	1,5-2,0	12	8.5	7.2	0.45	12.2	6.0	8.3x8.3	10x10x4,5	FX70836BXCM
M 4	1,5-2,0	13.2	9.5	8.2	0.45	13.5	6	9.5x9.5	11x11x4.5	FX70954BXCM
M 5	1,5-2,0	13.2	9.5	8.2	0.45	13.5	6	9.5x9.5	11x11x4.5	FX70955BXCM
M 6	1,5-2,0	13.2	9.5	8.2	0.45	13.5	6	9.5x9.5	11x11x4.5	FX70956BXCM
M 8	3,0-3,9	20.4	16,5	12.6	0.6	20.4	10.5	14x14	17x17x7.5	FX71408CXCM
M 10	3,0-3,9	20.4	16,5	12.6	0.6	20.4	10.5	14x14	17x17x7.5	FX71410CXCM
M 12	3,0-3,9	20.4	16,5	12.6	0.6	20.4	10.5	14x14	17x17x7.5	FX71412CXCM

- Tolleranza generale ± 0.3
Disponibili anche con:
- Gabbia Inox + Dado Acciaio Dolce oppure
- Gabbia Inox + Dado Inox

- General tolerance ± 0.3
Also available with:
- Stainless Steel Cage + Mild Steel Nuts or
- Stainless Steel Cage + Stainless Steel Nuts

- Generaltoleranz ± 0.3
Verfügbar mit:
- Kiste aus rostfreier Stahl + Mutter aus Flusstahl oder
- Kiste aus rostfreier Stahl + Mutter aus rostfreier Stahl

Dadi in Gabbia con Alette *Cage nuts with wings*



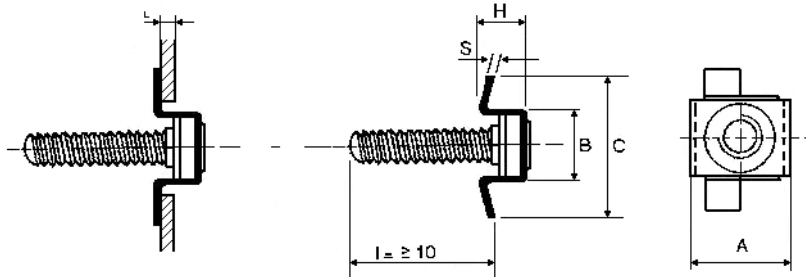
Vite	Spessore pannello	H	A	B	C	S	Cava pannello	Codice
M 5	0.5-0.6	5.6	14	12.4	20.4	0.5	13x8	FX78135A
M 5	0.7-0.8	5.8	14	12.4	20.4	0.5	13x8	FX78135B
M 5	0.9-1,0	6.0	14	12.4	20.4	0.5	13x8	FX78135C
M 5	1.2-1.3	6.3	14	12.4	20.4	0.5	13x8	FX78135D
M 5	1.5-1.6	6.6	14	12.4	20.4	0.5	13x8	FX78135E
M 5	1.7-1.8	6.8	14	12.4	20.4	0.5	13x8	FX78135F
M 5	2.0-2.1	7.1	14	12.4	20.4	0.5	13x8	FX78135G
M 6	0.5-0.6	5.6	14	12.4	20.4	0.5	13x8	FX78136A
M 6	0.7-0.8	5.8	14	12.4	20.4	0.5	13x8	FX78136B
M 6	0.9-1,0	6.0	14	12.4	20.4	0.5	13x8	FX78136C
M 6	1.2-1.3	6.3	14	12.4	20.4	0.5	13x8	FX78136D
M 6	1.5-1.6	6.6	14	12.4	20.4	0.5	13x8	FX78136E
M 6	1.7-1.8	6.8	14	12.4	20.4	0.5	13x8	FX78136F
M 6	2.0-2.1	7.1	14	12.4	20.4	0.5	13x8	FX78136G
M 6	0.5-0.6	6.3	15.5	13.6	21.6	0.5	14x9	FX79146A
M 6	0.7-0.8	6.5	15.5	13.6	21.6	0.5	14x9	FX79146B
M 6	0.9-1,0	6.7	14.5	13.6	21.6	0.5	14x9	FX79146C
M 6	1.2-1.3	7.0	15.5	13.6	21.6	0.5	14x9	FX79146D
M 6	1.5-1.6	7.3	15.5	13.6	21.6	0.5	14x9	FX79146E
M 6	1.7-1.8	7.5	15.5	13.6	21.6	0.5	14x9	FX79146F
M 6	2.0-2.1	7.8	15.5	13.6	21.6	0.5	14x9	FX79146G
M 8	0.5-0.6	7,7	17.5	15,8	26,0	0.6	10,5x16,5	FX716108A
M 8	0.7-0.8	7,9	17.5	15,8	26,0	0.6	10,5x16,5	FX716108B
M 8	0.9-1,0	8,1	17.5	15,8	26,0	0.6	10,5x16,5	FX716108C
M 8	1.2-1.3	8,4	17.5	15,8	26,0	0.6	10,5x16,5	FX716108D
M 8	1.5-1.6	8,7	17.5	15,8	26,0	0.6	10,5x16,5	FX716108E
M 8	1.7-1.8	8,9	17.5	15,8	26,0	0.6	10,5x16,5	FX716108F
M 8	2.0-2.1	9,2	17.5	15,8	26,0	0.6	10,5x16,5	FX716108G

- Tolleranza generale ± 0.3
- Materiale: Gabbia Inox 18/8, Dado 6 S

- General tolerance ± 0.3
- Material: Stainless Steel Cage 18/8, Nuts 6 S

- Generaltoleranz ± 0.3
- Werkstoff: Kiste aus rostfreier Stahl 18/8, Mutter 6 S

Viti in Gabbia con alette Cage screw with wings



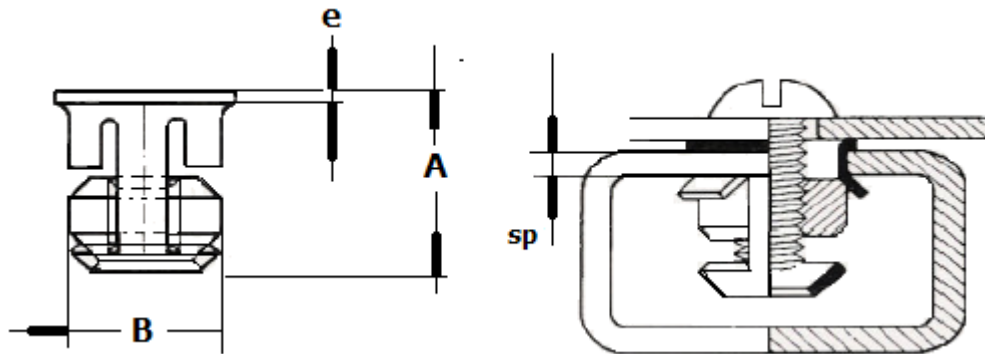
vite	Spessore pannello	H	A	B	C	S	Cava pannello	Codice
M 5	0.5-0.6	3.4	11	8.5	16.5	0.4	9x9	FX70905A
M 5	0.7-0.8	3.6	11	8.5	16.5	0.4	9x9	FX70905B
M 5	0.9-1.0	3.8	11	8.5	16.5	0.4	9x9	FX70905C
M 5	1.2-1.3	4.1	11	8.5	16.5	0.4	9x9	FX70905D
M 5	1.5-1.6	4.4	11	8.5	16.5	0.4	9x9	FX70905E
M 5	1.7-1.8	4.6	11	8.5	16.5	0.4	9x9	FX70905F
M 5	2.0-2.1	4.9	11	8.5	16.5	0.4	9x9	FX70905G
M 6	0.5-0.6	3.9	14	10.6	18	0.5	11x11	FX70116A
M 6	0.7-0.8	4.1	14	10.6	18	0.5	11x11	FX70116B
M 6	0.9-1.0	4.3	14	10.6	18	0.5	11x11	FX70116C
M 6	1.2-1.3	4.6	14	10.6	18	0.5	11x11	FX70116D
M 6	1.5-1.6	4.9	14	10.6	18	0.5	11x11	FX70116E
M 6	1.7-1.8	5.1	14	10.6	18	0.5	11x11	FX70116F
M 6	2.0-2.1	5.4	14	10.6	18	0.5	11x11	FX70116G
M 8	0.5-0.6	4,7	16	12,5	19,5	0.5	13x13	FX70138A
M 8	0.7-0.8	4,9	16	12,5	19,5	0.5	13x13	FX70138B
M 8	0.9-1.0	5,1	16	12,5	19,5	0.5	13x13	FX70138C
M 8	1.2-1.3	5,4	16	12,5	19,5	0.5	13x13	FX70138D
M 8	1.5-1.6	5,7	16	12,5	19,5	0.5	13x13	FX70138E
M 8	1.7-1.8	5,9	16	12,5	19,5	0.5	13x13	FX70138F
M 8	2.0-2.1	6,2	16	12,5	19,5	0.5	13x13	FX70138G

- Tolleranza generale ± 0.3
- Materiale: Gabbia Inox 18/8
- Vite 4.8
- Lunghezza vite: da 10 a 50mm

- General tolerance ± 0.3
- Material: Stainless Steel Cage 18/8
- Screw 4.8
- Screw length: from 10 to 50mm

- Generaltoleranz ± 0.3
- Werkstoff: Kiste aus rostfreier Stahl 18/8
- Schraube 4.8
- Schraube Länge: von 10 bis 50mm

Dadi in Gabbia Tonda *Round Cage nuts*

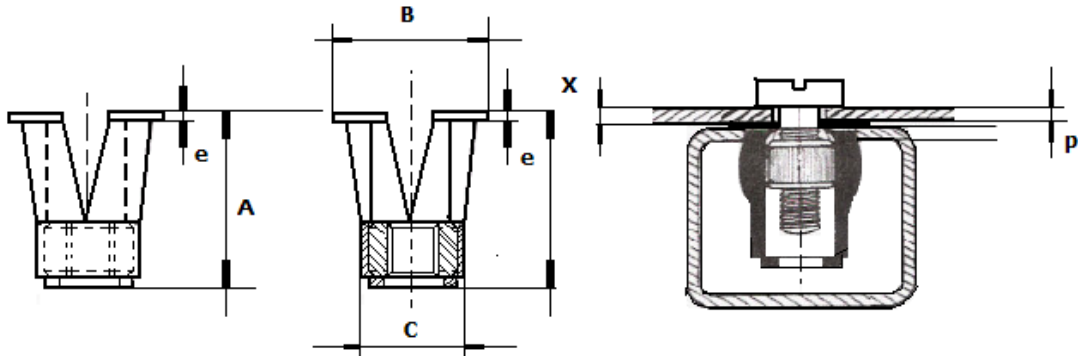


vite	Spessore pannello senza svasatura	Spessore pannello con svasatura	A	B	E	Foro Pannello	Codice
M 3	0,7-3,5	1,2-4,0	11	8,4	0,5	8,6	FX79767
M 3	0,7-4,0	1,5-5,0	13	9,9	0,6	10,1	FX79768
M 4	0,7-3,5	1,2-4,0	9,2	7,0	0,5	7,2	FX79750
M 4	0,7-4,0	1,5-5,0	13	9,9	0,6	10,1	FX79769
M 5	0,7-3,5	1,2-4,0	11	8,4	0,5	8,6	FX79704
M 5	0,5-1,5	0,5-1,5	13	9,9	0,5	10,1	FX79618S
M 5	0,7-4,0	1,5-5,0	13	9,9	0,6	10,1	FX79618
M 6	0,7-4,0	1,5-5,0	13	9,9	0,6	10,1	FX79625
M 7	1,0-6,0	1,8-7,0	18,2	12,9	0,9	13,2	FX79770
M 8	1,0-6,0	1,8-7,0	18,2	12,9	0,9	13,2	FX79743

- Tolleranza generale ± 0.3
- Gabbia. Acciaio + Dado Acciaio Dolce

- General tolerance ± 0.3
- Steel Cage + Mild Steel Nuts
-

Dadi in Gabbia Tonda in Nylon *Nylon Round Cage nuts*



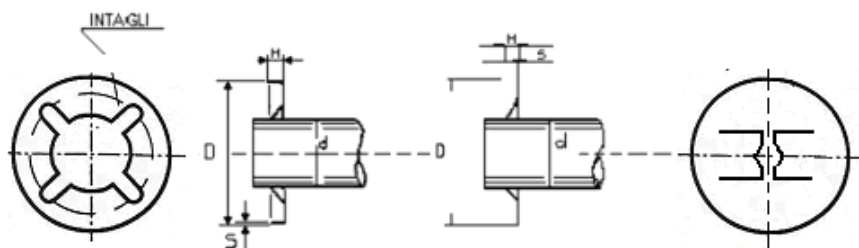
vite	Spessore pannello	A	B	C	e	Foro Pannello	Codice
M 3	0.5-3,0	7,5	8,0	5,0	0,3	5,2	FX79620
M 4	0.5-4,0	9,5	9,4	6,0	0,4	6,3	FX79619
M 5	0.5-5,0	12	11	8,0	0,5	8,1	FX79621
M 6	0.5-6,0	15	14,4	10,3	0,6	10,5	FX79631

- Tolleranza generale ± 0.3
- Gabbia. Nylon + Dado Ottone

- General tolerance ± 0.3
- Nylon Cage +Nuts Brass

Fastening System

Anelli a Corona Crown Ring



Ø perno	D	H	S	N° intagli	Codice
2	9	1.3	0.20	4	FX79549
2.5	9	1.3	0.20	4	FX79550
3	7,2	1.0	0.20	4	FX70312BX
3	9	1.5	0.20	2	FX70313BX
4	11	1.7	0.20	5	FX70400
4	15	1.5	0.25	5	FX70401BX
5	12	1.5	0.25	6	FX70402
5	11	1.7	0.20	6	FX70329BX
5	15	1.5	0.20	6	FX70403
6	15	1.5	0.25	6	FX70328BX
6	15	2.0	0.40	2	FX70311BX
6	20	2.0	0.30	6	FX70404
6	26	2.4	0.30	6	FX70405
8	15	1.5	0.30	6	FX70325BX
8	25	2.4	0.30	6	FX70406
10	18	2.5	0.30	6	FX70407
10	26	2.4	0.30	6	FX70408
11	18	2.0	0.30	6	FX79551
12	25	2.4	0.40	6	FX79552
13	20	2.5	0.30	6	FX70409
14	20	2.5	0.30	6	FX70410
14	35	2.7	0.50	4	FX70411
15	23	1.5	0.50	8	FX70309
16	25	3.0	0.35	6	FX79553
16	28	2.8	0.40	6	FX79554
17	28	2.8	0.40	6	FX79555
18	35	12.7	0.50	6	FX70413
20	34	3.3	0.30	7	FX70415
22	36	3.1	0.40	6	FX79556
25	41	3.0	0.30	9	FX70416

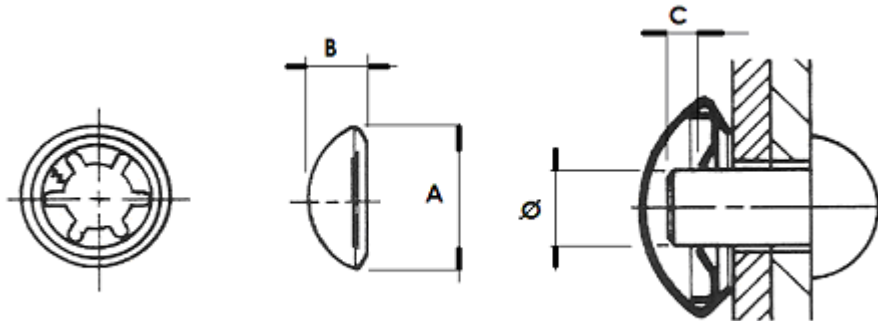
- Tolleranza generale ± 0.3
- In acciaio per molle e acciaio Inox
- Codici con finale **BX** sono in Acciaio Inox 18/8

- General tolerance ± 0.3
- Stainless and spring steel
- Codes with **BX** ending indicate Stainless Steel 18/8

- Generaltoleranz ± 0.3
- Federbandstahl und rostfreier Stahl
- Coden mit **BX** Endung sind aus rostfreier Stahl 18/8

Fastening System

Fissatori con Cappuccio
Crown Fixer with cap



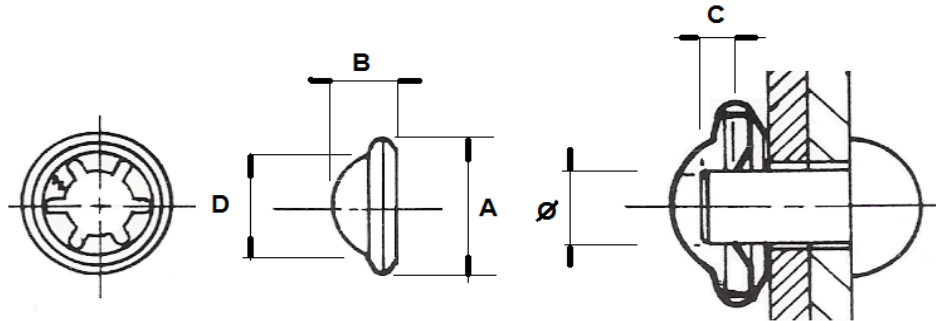
perno	A	B	C	Codice
3	12,0	5,0	2,5	FX63403
4	12,0	5,0	2,5	FX63404
5	12,0	5,0	2,5	FX63405
6	16,0	6,0	4,0	FX63406
7	16,0	6,0	4,0	FX63407
8	16,0	6,0	4,0	FX63408
9	18,0	7,0	4,0	FX63409
10	18,0	7,0	4,0	FX63410
11	18,0	7,0	4,0	FX63411
12	26,7	9,2	4,0	FX63412
14	26,7	9,2	4,5	FX63414
16	29,8	9,5	5,0	FX63416

- Tolleranza generale ± 0.3
- Materiale: acciaio per molle

- General tolerance ± 0.3
- Material: stainless

- Generaltoleranz ± 0.3
- Werkstoff: Federbandstahl

Fissatori con Cappuccio Bordato
Crown Fixer with Boarded cap



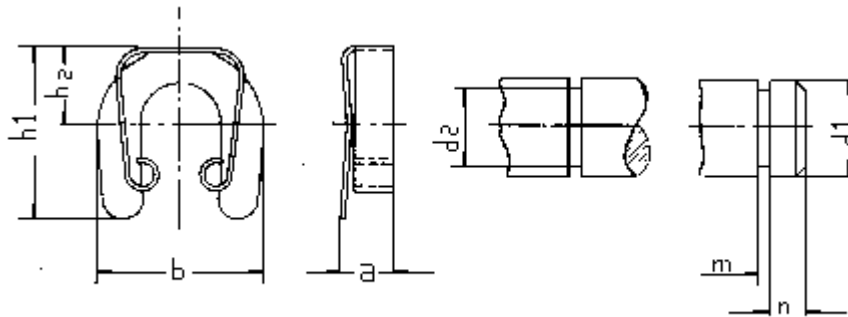
perno	A	B	D	C	Codice
3	12,0	5,0	10,0	2,5	FX63303
4	12,0	5,0	10,0	2,5	FX63304
5	12,0	5,0	10,0	2,5	FX63305
6	16,0	6,0	14,0	4,0	FX63306
6,5	16,0	6,0	14,0	4,0	FX63365
7	16,0	6,0	14,0	4,0	FX63307
8	16,0	6,0	14,0	4,0	FX63308
9	18,0	7,0	16,0	4,0	FX63309
9,5	18,0	7,0	16,0	4,0	FX63395
10	18,0	7,0	16,0	4,0	FX63310
11	18,0	7,0	16,0	4,0	FX63311

- Tolleranza generale ± 0.3
- Materiale: acciaio per molle

- General tolerance ± 0.3
- Material: stainless

- Generaltoleranz ± 0.3
- Werkstoff: Federbandstahl

Fermagli di Sicurezza *Safety fittings*



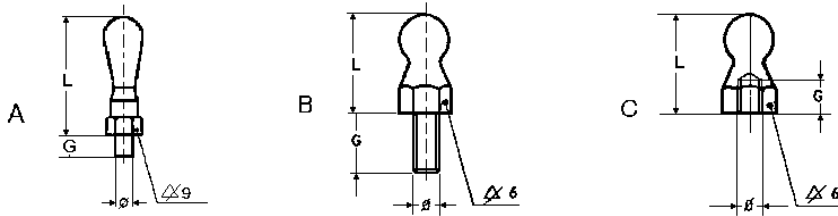
Ø perno	b	h1	h2	a	Forza assiale	d1 h11	d2 h11	m + 0,1	n + 0,1	Codice
6	10,6	11,1	5,1	3,35	400	6	5	0,74	2,26	FX70419
8	13,5	14,2	6,2	4,00	500	8	6	0,94	2,56	FX70308
10	17,0	18,0	8,0	5,30	750	10	8	1,05	3,45	FX70420
12	20,0	21,3	9,3	5,80	1.250	12	9	1,15	3,85	FX70320

- Tolleranza generale $\pm 0,3$
- Albero in acciaio con $R = 60/70$ Kg/mm²
- Materiale: acciaio per molle
- Trattamento fosfatizzazione/Dacromet

- General tolerance $\pm 0,3$
- Shafts made of steel $R = 60/70$ Kg/mm²
- Material: spring steel
- Surface coating: phosphated/Dacromet

- Generaltoleranz $\pm 0,3$
- Wellen aus Stahl $R = 60/70$ Kg/mm²
- Werkstoff: Federbandstahl
- Oberflächenschutz: phosphatiert/Dacromet

Perni per Chiusure Rapide *Pivot for Rapid Fastening*



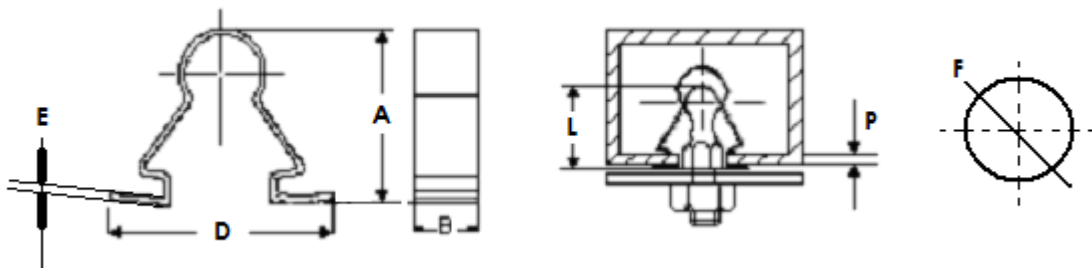
Vite	Tipo	L	G	Codice
4.2	Self tapping Selbstschneidende	11.4	8	FX70314
M 4	B	11.4	10	Fx70396
M 5	B	11.4	10	FX70397
M 5	B	12.0	5	FX70398
M 4	B	12,4	7	FX70358
M 5	B	14,0	4	FX70509
M 5	B	14,0	7	FX70423
M 4	B	12,7	5	FX70421
M 5	B	12.0	10	FX70399
M 5	B	12.7	4	FX70362
M 5	B	12.7	10	FX70417
M 4	B	14.0	10	FX79755
M 5	B	14.0	10	FX70418
M 6	A	25.0	10	FX70357

- Tolleranza generale ± 0.3
- Materiale: acciaio cementato e zincato
- è possibile produrre particolari a disegno cliente

- General tolerance ± 0.3
- Material: case-hardened and zinc-plated steel
- it is possible to produce custom designed items

- Generaltoleranz ± 0.3
- Werkstoff: aufgekollter und verzinkter Stahl
- es ist möglich nach der zeichnung des kunden produkte herstellen

Molle per Chiusure Rapide *Spring for rapid Fastening*



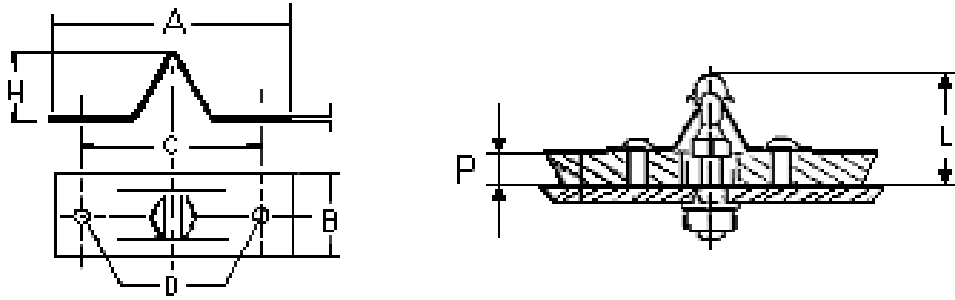
L	Spessore. Pannello	A	B	D	E	F	Cava	Codice
11.4	0.5-1.0	13.4	6.0	17	0.4	10.5	7x9	FX70315
12.0	1.0-1.5	13.8	6.0	17	0.4	10.5	7x9	FX70395
12.7	1.5-2.0	14.2	6.0	17	0.4	10.5	7x9	FX70365
12.7	1.7-2.5	14.2	6.0	17	0.4	10.5	7x9	FX70382
14.0	2.5-3.2	15.8	6.0	17	0.4	10.5	7x9	FX70520
12.7	1.7-2.5	14.6	6.0	25	0.4	10.5	7x9	FX70319

- Tolleranza generale ± 0.3
- Materiale: acciaio per molle
- Trattamento: fosfatizzazione/Dacromet

- General tolerance ± 0.3
- Material: spring steel
- Surface coating: phosphated/Dacromet

- Generaltoleranz ± 0.3
- Werkstoff: Federbandstahl
- Oberflächenschutz: phosphatiert/Dacromet

Molle per Chiusure Rapide - tipo pesante
Spring for rapid Fastening - heavy type



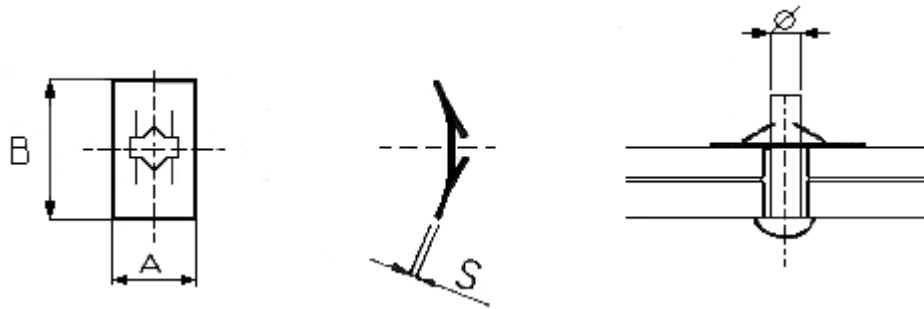
Spessore Pannello	A	B	C	D	E	H	L	Resistenza Trazione daN	Codice
1.5-5.0	50	17	37	3,3	0.6	16.5	25	8	FX70340
1.5-5.0	50	17	37	6,3X8	0.6	16.5	25	8	FX79536
1.5-5.0	50	17	37	4	0.6	16.5	25	8	FX70117
3.5-5.0	26	11	19.5	8	0.6	7.5	14	9	FX70359
2.0-3.5	26	11	19.5	8	0.5	7.5	14	6	FX70557
1.0-2.0	26	11	19.5	8	0.3	7.5	14	3	FX70558

- Tolleranza generale ± 0.3
- Materiale: acciaio per molle
- Trattamento: fosfatizzazione/Dacromet

- General tolerance ± 0.3
- Material: spring steel
- Surface coating: phosphated/Dacromet

- Generaltoleranz ± 0.3
- Werkstoff: Federbandstahl
- Oberflächenschutz: phosphatiert/Dacromet

Piastrine semplici per perni lisci
Simple plaques for pivots



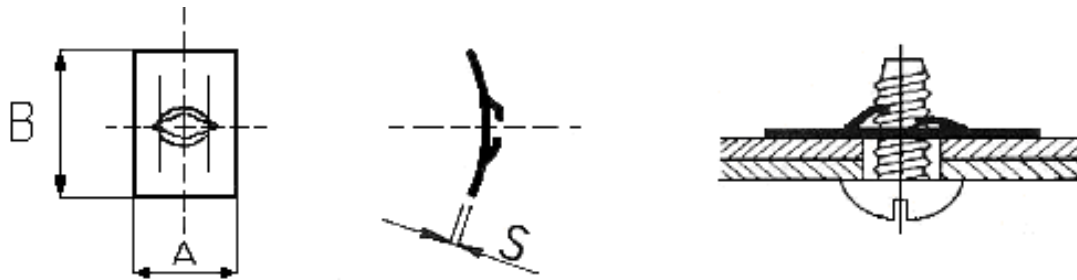
A	B	S	C	Diam. Perno	Codice
8,0	13	0,4	3,2	2,0	FX63007
12	14	0,3	3,2	2,5	FX63008
8,0	13	0,4	3,2	3,0	FX63009
10,0	15,0	0,4	4,5	4,0	FX63010
10,0	15,0	0,4	4,5	4,5	FX63011
11,0	18,0	0,4	5,0	5,0	FX63012
11,0	16,0	0,3		6,0	FX63013

- Tolleranza generale ± 0.3
- Materiale: acciaio per molle

- General tolerance ± 0.3
- Material: spring steel

- Generaltoleranz ± 0.3
- Werkstoff: rostfreier stahl

Piastrine semplici per viti Parker *Simple plaques for Parker Screw*



Autofilettanti	A	B	S	tipo	Codice
2,9	11,0	8,0	0,5	A	FX63014
2,9	15,0	9,5	0,5	A	FX63015
3,6	13,5	9,0	0,6	A	FX63016
3,6	15,0	9,5	0,5	A	FX63017
4,2	15,0	9,5	0,6	A	FX63018
4,8	17,0	10,5	0,7	A	FX63019
5,5	18,0	12,0	0,8	A	FX63020
4,2	18,0	12,0	0,7	A	FX63021
3,6	18,0	12,0	0,7	A	FX63022

- Tolleranza generale ± 0.3
- Materiale: acciaio per molle

- General tolerance ± 0.3
- Material: spring steel

- Generaltoleranz ± 0.3
- Werkstoff: rostfreier stahl